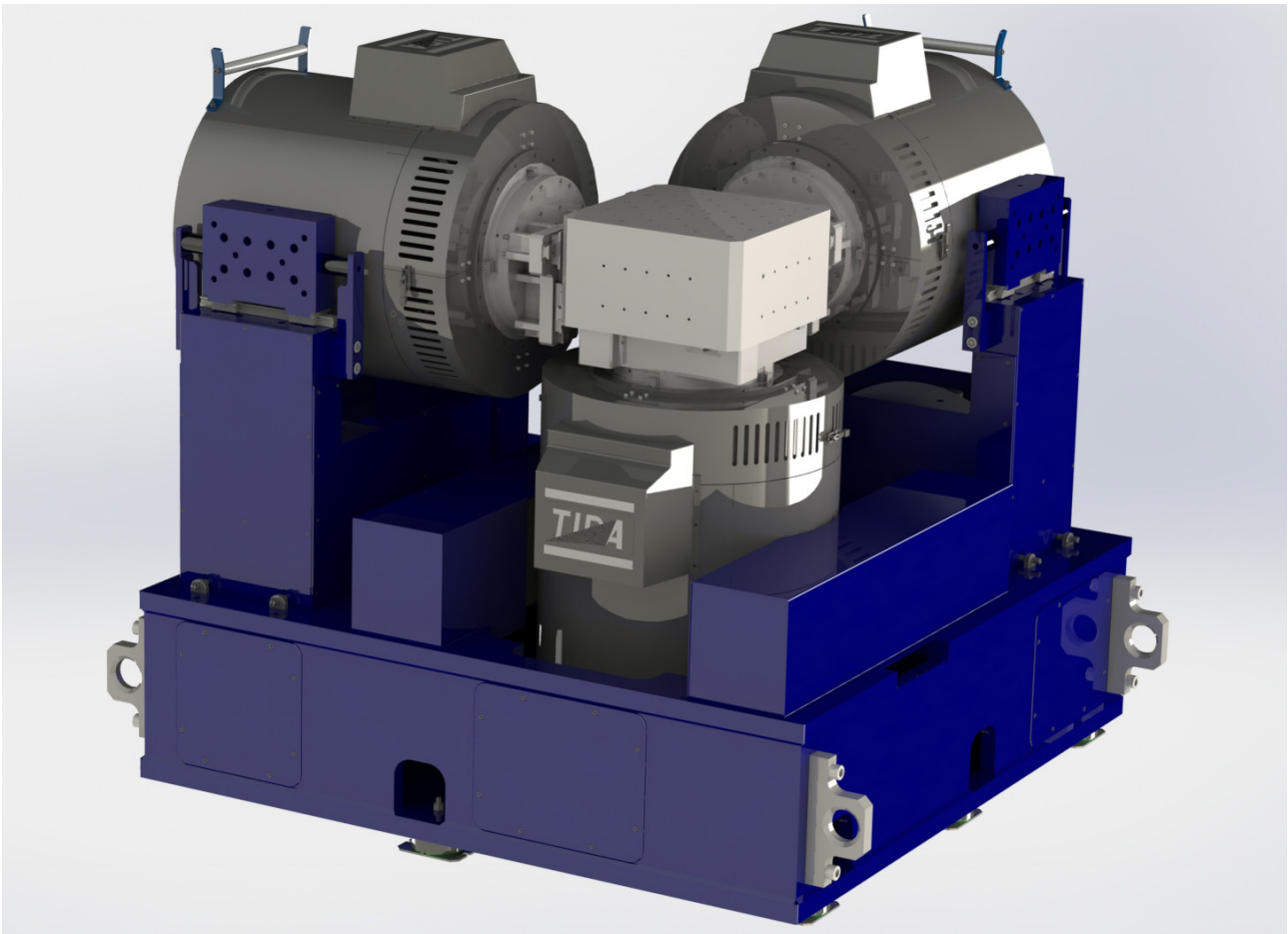


3D Shaker System

CTC ADVANCED GMBH - REPRODUCING THE REAL ENVIRONMENT

We are aware of the requirements the automotive industry has in the area of environmental simulation and we are looking forward to meeting the associated challenges.



Our aim is to encourage our automotive customers' trust in our expertise with our new testing facilities. Our new 3-axis simultaneous testing machine meets the specifications according MIL standards, suitable for the automotive and aviation industries, and we can offer tests in a wide frequency range up to 2000 Hz.

As a leading service provider for testing and certification, we develop forward-looking solutions for our customers and the industries, they belong to. Thus, we provide the necessary components for state-of-the-art testing, such as a 3D shaker.

Have we inspired your curiosity?
Or do you have further questions?

Just contact us, we are always on hand to help you:

mail@ctcadvanced.com

Or come and join us on our website:

www.ctcadvanced.com